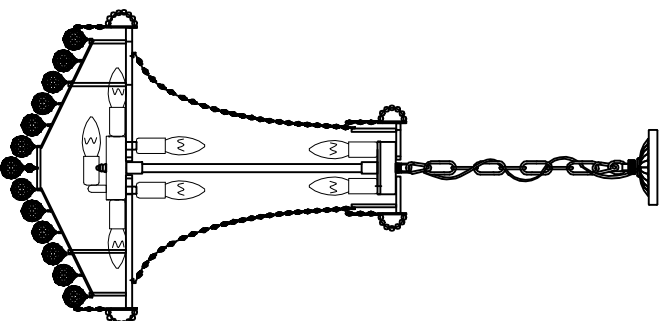


Trade Mark:
CRYSTAL WORLD INC

Product Name: Pendant lamp
Model :8001P24G
120Vac, 60Hz,AC ONLY
Lamp Size:Ø24"X31"H

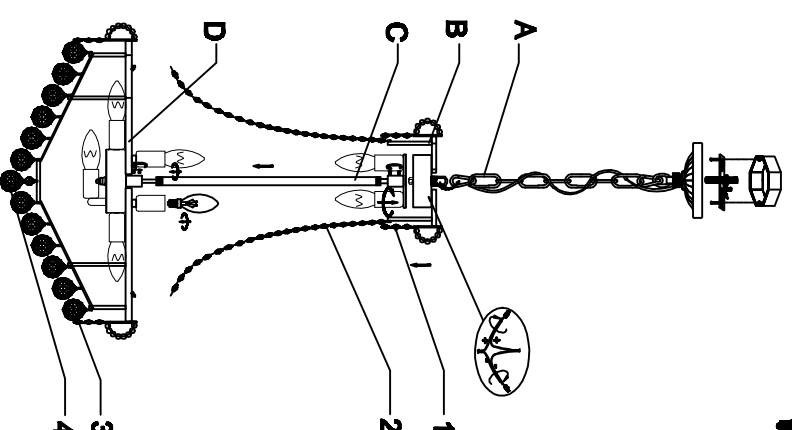






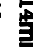
PENDANT LAMP ASSEMBLY INSTRUCTIONS

- 1.Screw part(C) onto the lampbody(D) secure with screw.
- 2.Screw part(B) onto (C) secure with screw.
- 3.Please fix (A) with (B).
- 4.Please wear gloves when you hanging the crystal.
- 5.Install bulbs (NOT INCLUDED)USE 120V E12



17*40W Max.



- | | | |
|---|--|--------|
| 1 |  4mm*3pcs | 139PCS |
| 2 |  14mm*21 pcs | 33PCS |
| 3 |  40mm*1PCS | 126PCS |
| 4 |  14mm*1PCS
 40mm*1PCS | 1PCS |

