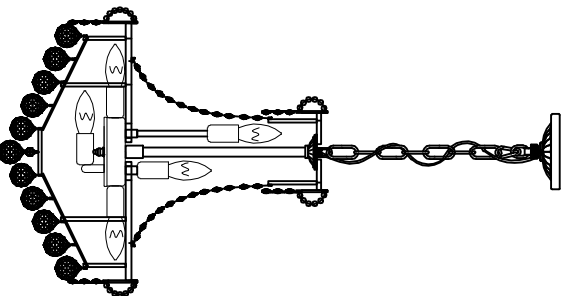


Trade Mark:  
CRYSTAL WORLD INC

Product Name: Pendant lamp  
Model :8001P20G  
120Vac, 60Hz,AC ONLY  
Lamp Size:Ø20"X24"H

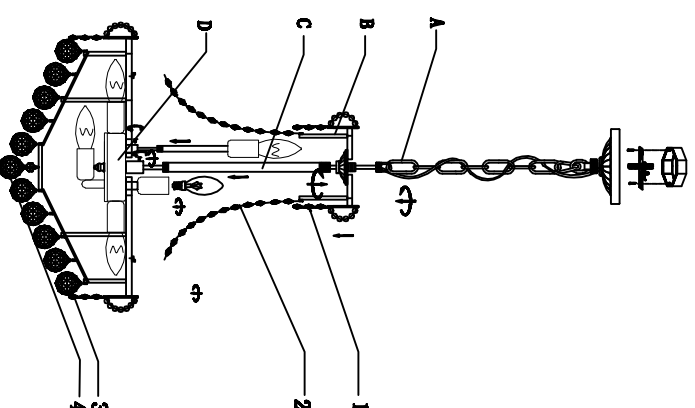


## PENDANT LAMP ASSEMBLY INSTRUCTIONS

1. Screw part(C) onto the lampbody(D) secure with screw.
2. Screw part(B) onto (C) secure with screw.
3. Please fix (A) with (B).
4. Please wear gloves when you hanging the crystal.
5. Install bulbs ( NOT INCLUDED) USE 120V E12



14\*40W Max.



- |                                    |                                  |                                  |   |
|------------------------------------|----------------------------------|----------------------------------|---|
| <p>1<br/>11.5PCS<br/>14mm*3pcs</p> | <p>2<br/>24PCS<br/>14mm*2pcs</p> | <p>3<br/>90PCS<br/>40mm*1PCS</p> | <p>4<br/>1PCS<br/>14mm*1PCS<br/>40mm*1PCS</p> |
|------------------------------------|----------------------------------|----------------------------------|---|

