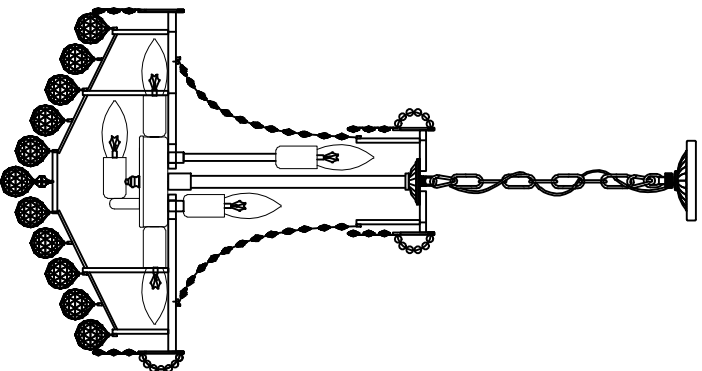



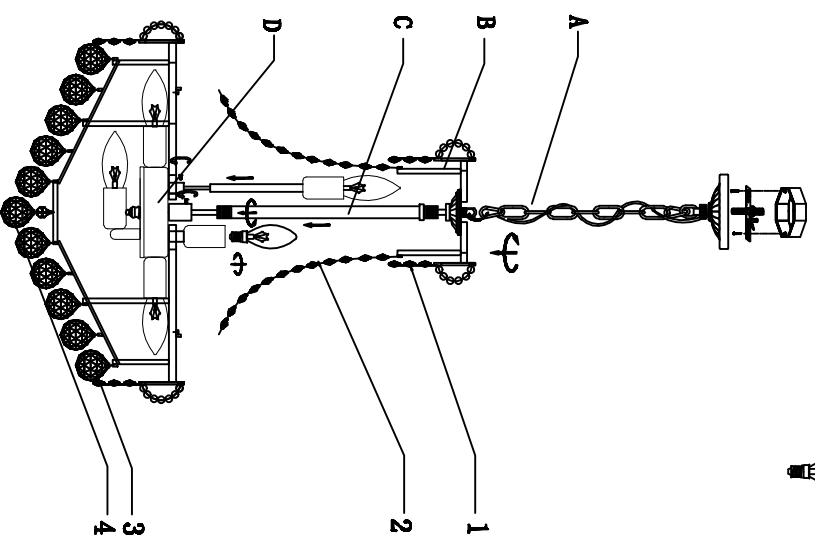
Trade Mark:
CRYSTAL WORLD INC





Product Name: Pendant lamp
Model :8001P20C
120Vac, 60Hz,AC ONLY
Lamp Size:Ø20"X23"H



PENDANT LAMP ASSEMBLY INSTRUCTIONS

1. Please wear gloves when you hanging the crystal.
2. Screw part(C) onto the lambody(D) secure with screw.
3. Screw part(B) onto (C) secure with screw.
4. Please fix (A) with (B).
5. Install bulbs(NOT INCLUDED),USE 120V E12  14*40W Max.



- 1  14mm*3pcs
 - 2  14mm*12pcs
 - 3  40mm*1PC
 - 4  14mm*1PC
- 115PCS
- 90PCS
- 1PC
- 