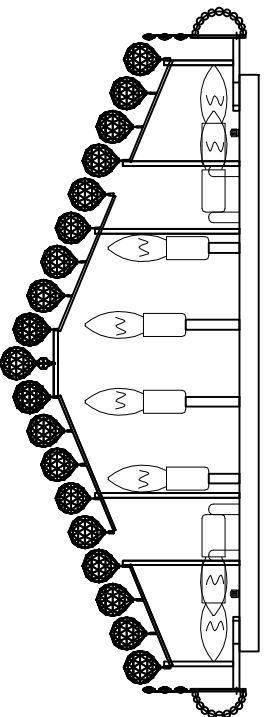


Trade Mark:
CRYSTAL WORLD INC

Product Name: Ceiling lamp
Model :8001C36C
120Vac, 60Hz,AC ONLY
Lamp size:Ø36"H14"

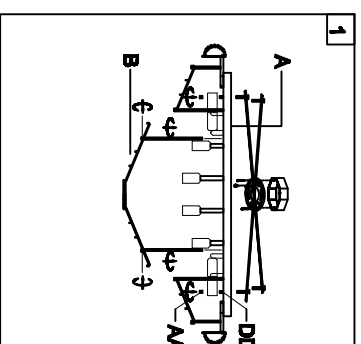


CEILING LAMP ASSEMBLY INSTRUCTIONS

1. Place fixture(A) onto mounting screws (DD), secure with cap nuts (AA).
2. Please fix (B) with (A).

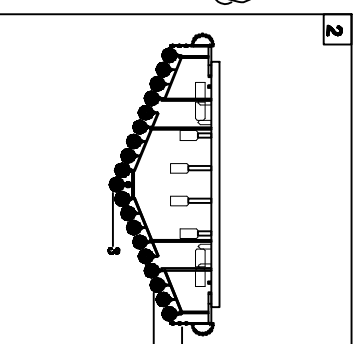
Hardware Used

AA Cap nut	⊖	X 6
DD Mounting screw		X 6

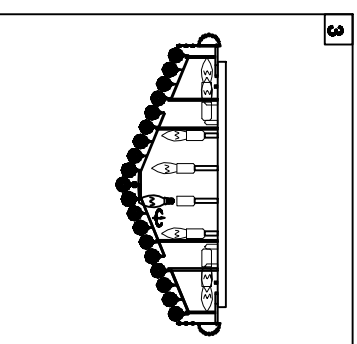


2. Please put the crystal(1) (2) (3) to the fixture .

1	2	3
 14mm*3PCS	 40mm*1PCS	 14mm*1PCS
164PCS	284PCS	1PCS



3. Install light bulbs (not included).
Use bulb
120V E12 20*40W Max.




C_{UL} US
Intertek
4006677