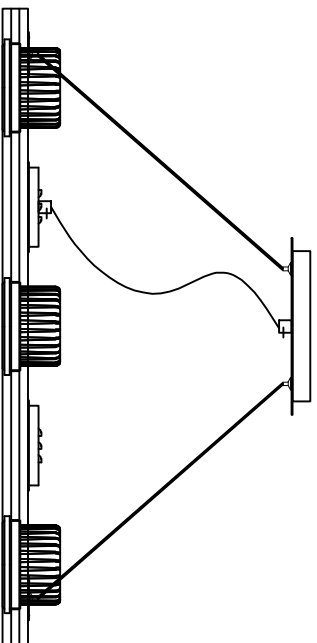


Trade Mark:
CRYSTAL WORLD INC

Product Name: Pendant lamp
Model :7114P29-3-103
120Vac, 60Hz,AC ONLY
Lamp Size:L29"W7"H3"~H123"






C US
Intertek
4006677

Pendant LAMP ASSEMBLY INSTRUCTIONS

1. Place fixture (1) onto mounting screws (DD). Secure with Cap nut (AA).

Hardware Used

AA Cap nut		X 2
DD Mounting screw		X 2

3. Install lighting bulbs (not included).

USE 120V LED 3*30W Max.

