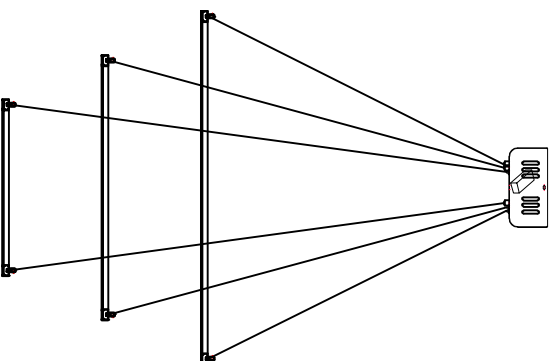


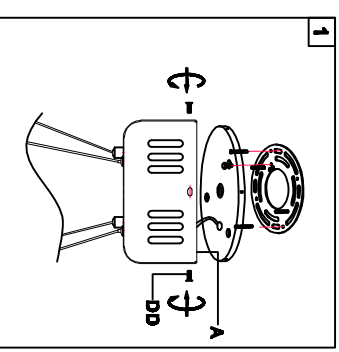
Trade Mark:
CRYSTAL WORLD INC

Product Name: Pendant lamp
Model :7112P31-103
120Vac, 60Hz,AC ONLY
Lamp Size:D31"H18"~H138"



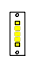
PENDANT LAMP ASSEMBLY INSTRUCTIONS

1. Place fixture (A) onto Crossbar (EE),
secure with Mounting screw (DD).



Hardware Used

DD Mounting screw  X 2

2. lighting bulbs (not included).
**120V LED  90W
NOT DIMMABLE (3000K)**

