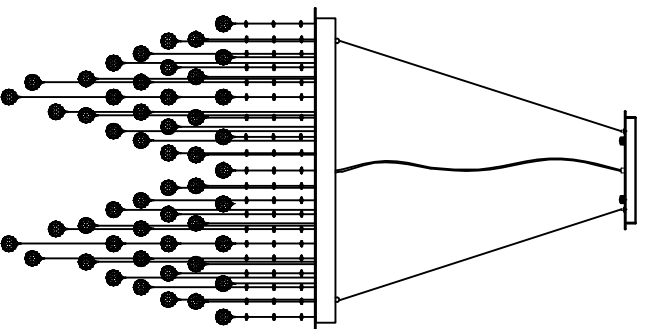


Trade Mark:
CRYSTAL WORLD INC


Product Name: Pendant lamp
Model :6640P32C-O
120Vac, 60Hz,AC ONLY
Lamp Size:L32"W9"H48"H

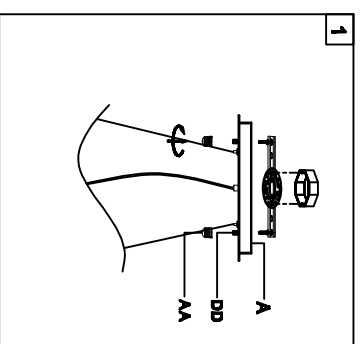


PENDANT LAMP ASSEMBLY INSTRUCTIONS


1.Place fixture(A)onto mounting screws (DD),secure with cap nuts (AA).

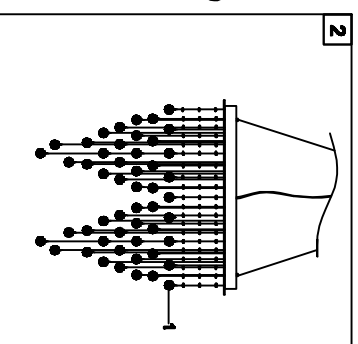
Hardware Used


AA Cap nut	a	X 2
DD Mounting screw		X 2



2.Please hang the crystal (1) to the fixture .

1  40mm*1PCS
87PCS



3.Install light bulbs (not included).
Use bulb  6*35W Max.
120V Gu10

