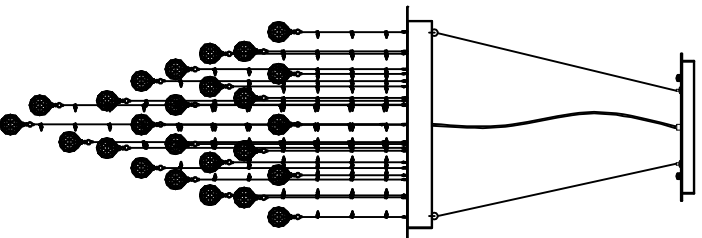


Trade Mark:
CRYSTAL WORLD INC

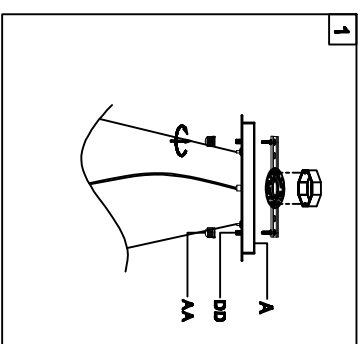
Product Name: Pendant lamp
Model :6640P18C-O
120Vac, 60Hz,AC ONLY
Lamp Size:L18"W*V9"H*48"H



PENDANT LAMP ASSEMBLY INSTRUCTIONS

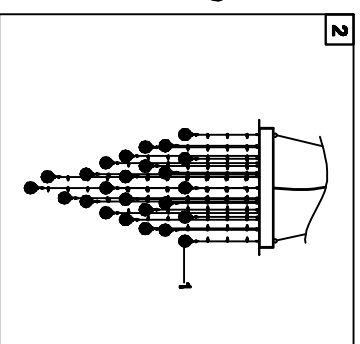
1.Place fixture(A)onto mounting screws (DD),secure with cap nuts (AA).

Hardware Used	
AA Cap nut	X 2
DD Mounting screw	X 2



2.Please hang the crystal (1) to the fixture .

- 1 40mm*1PCS
- 43PCS



3.Install light bulbs (not included).
Use bulb
120V Gu10 3*35W Max.

