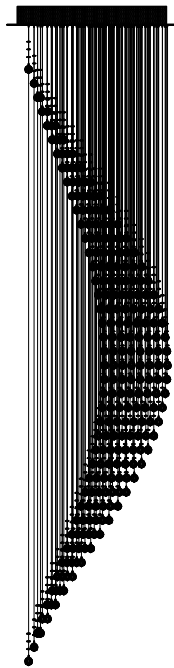


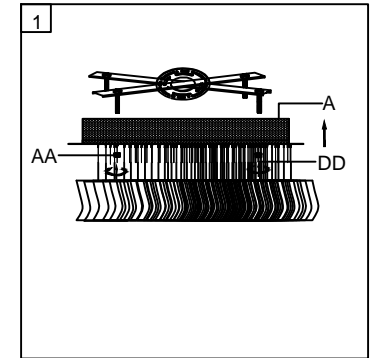
Trade Mark:
CRYSTAL WORLD INC

Product Name: Ceiling lamp
Model :6629C24C
120Vac, 60Hz,AC ONLY
Lamp size:Ø24"X69"H



CEILING LAMP ASSEMBLY INSTRUCTIONS

1. Place fixture(A) onto mounting screws (DD).secure with cap nuts (AA).

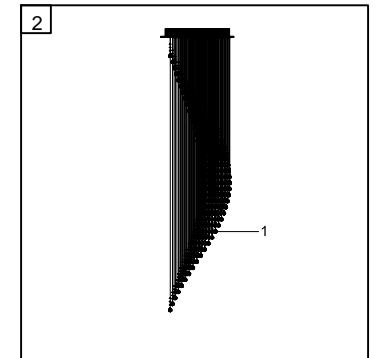


Hardware Used

AA Cap nut  X 4
DD Mounting screw  X 4

2. Please open the clear plastic bag carefully, and put the crystal(1) to the fixture .

1  30mm*1PCS
236PCS



3. Install light bulbs (not included).

Use bulb  8*35W Max.
120V GU10

