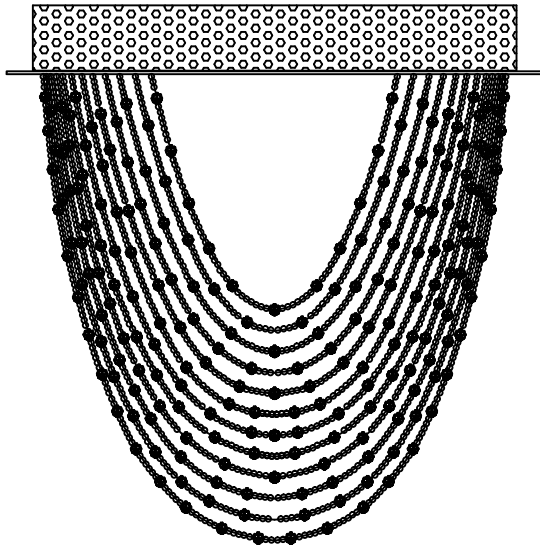


Trade Mark:  
CRYSTAL WORLD INC



Product Name: Ceiling lamp  
Model :6614C32C(H32")-R  
120Vac, 60Hz,AC ONLY  
Lamp size:Ø32"x32"H

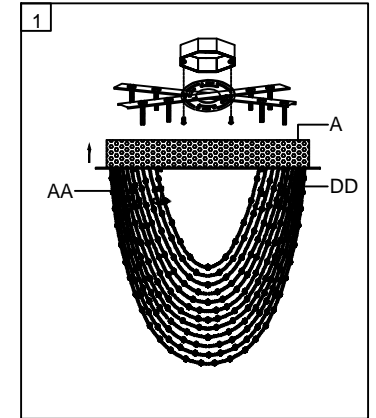


## CEILING LAMP ASSEMBLY INSTRUCTIONS

1. Place fixture(A) onto mounting screws (DD).secure with cap nuts (AA).

### Hardware Used

AA Cap nut		X 8
DD Mounting screw		X 8



2. Install light bulbs ( not included).

Use bulb  
**120V GU10**  **13\*35W Max.**

