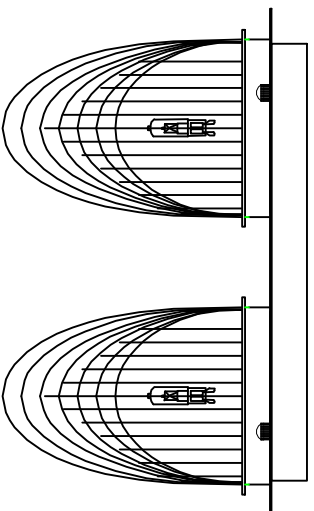


Trade Mark:  
**CRYSTAL WORLD INC**

**Product Name: Wall lamp**  
**Model :5702C14C-S**  
**120Vac, 60Hz,AC ONLY**  
**Lamp Size:L14\*\*W14\*\*H8"**

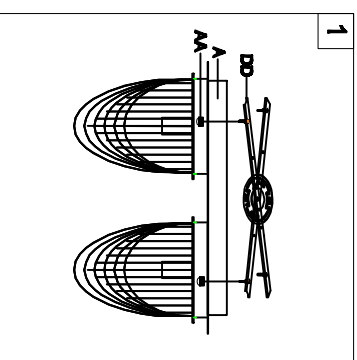


## WALL LAMP ASSEMBLY INSTRUCTIONS

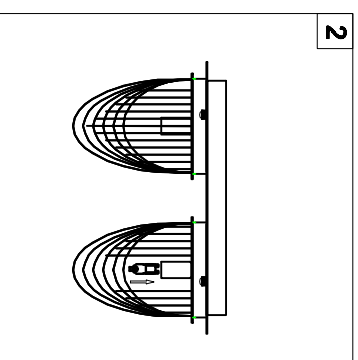
1. Place fixture(A) onto mounting screws (DD). Secure with cap nuts (AA).

### Hardware Used

**DD** Mounting screw   
**AA** Cap nut 



2. Install bulbs ( NOT INCLUDED).  
USE  
**120V G9 ⌀ 4\*40W Max.**



  
c UL LISTED us  
Intertek  
4006677