

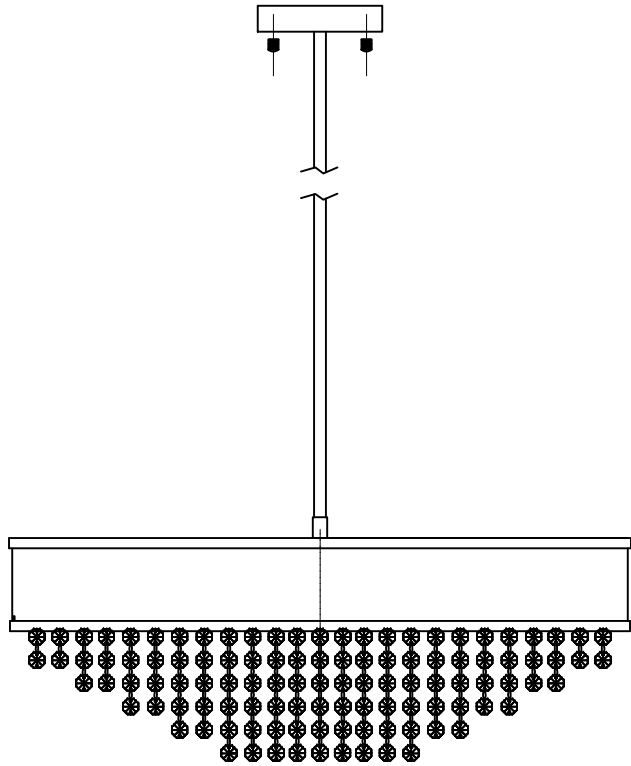
Trade Mark:  
CRYSTAL WORLD INC

Product Name: PENDANT LAMP

Model :5687P24-16-101

120Vac, 60Hz,AC ONLY

Lamp Size:D24"\*H8"TH68"



## PENDANT LAMP ASSEMBLY INSTRUCTIONS

1. Install bulbs ( NOT INCLUDED).USE **120V G9**  **10\*40W Max.**

