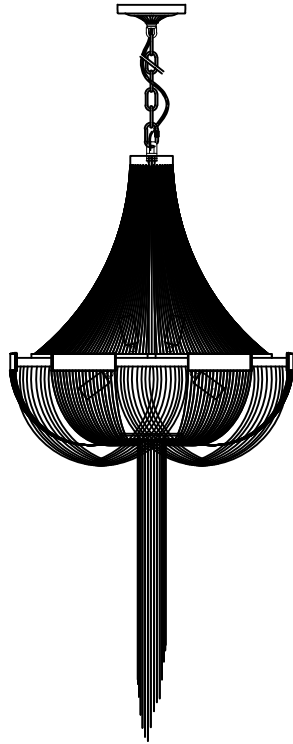



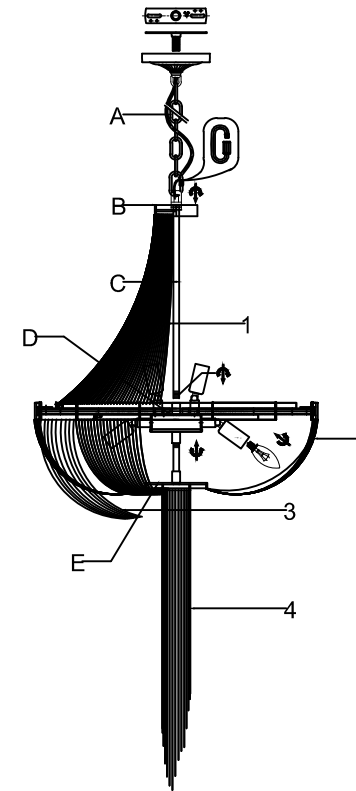
Trade Mark:  
CRYSTAL WORLD INC

Product Name: Pendant lamp  
Model :5653P20C  
120Vac, 60Hz,AC ONLY  
Lamp Size:D20"\*H40"~H99"



## PENDANT LAMP ASSEMBLY INSTRUCTIONS

- 1.Please fix (C) with (D), (B) with (C), (E) with (D).
- 2.Please fix (A) with (B).
- 3.Install bulbs ( NOT INCLUDED).USE **120V E12**  **6\*40W Max.**



- 1: 400MM - 380pcs
- 2: 300MM - 216pcs
- 3: 530MM - 216pcs
- 4: 360MM~530MM - 45pcs

