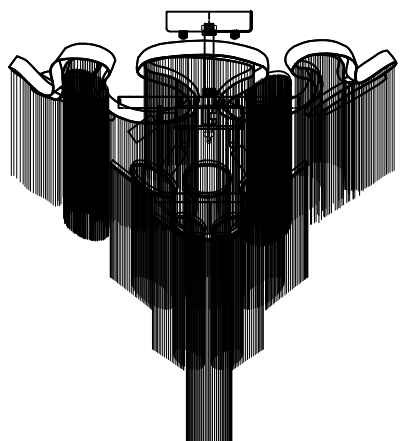



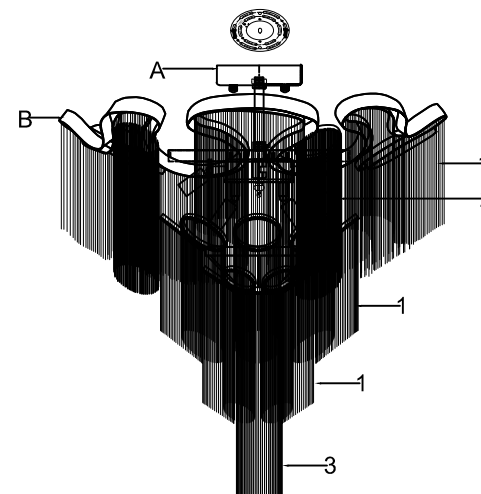
Trade Mark:
CRYSTAL WORLD INC

Product Name: Ceiling lamp
Model :5650C24C
120Vac, 60Hz,AC ONLY
Lamp Size:D24"*H38"



CEILING LAMP ASSEMBLY INSTRUCTIONS

- 1.Please put the glass(C) on the (B).
- 2.Please fix (A) with (B).
- 3.Install bulbs (NOT INCLUDED).USE **120V E12**  **13*40W Max.**



- 1: 200MM - 2173PCS
- 2: 250MM - 220PCS
- 3: 360MM - 72PCS

