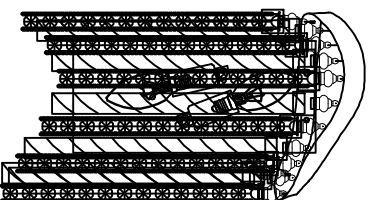


Trade Mark:
CRYSTAL WORLD INC

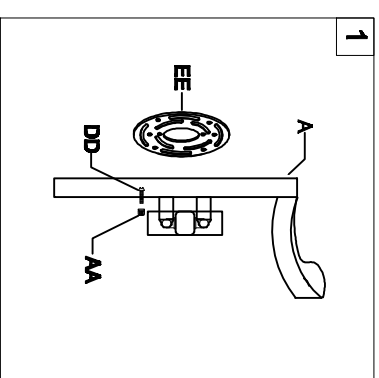
Product Name: Pendant lamp
Model :5648W7
120Vac, 60Hz,AC ONLY
Lamp Size:W7"H13"E4"



ETL
c_{UL} US
Intertek
4006677

WALL LAMP ASSEMBLY INSTRUCTIONS

1. Place fixture(A) onto mounting screws (EE). Secure with cap nuts (AA).

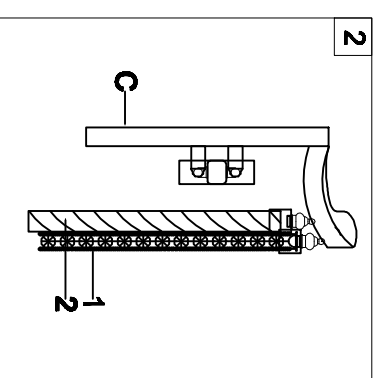
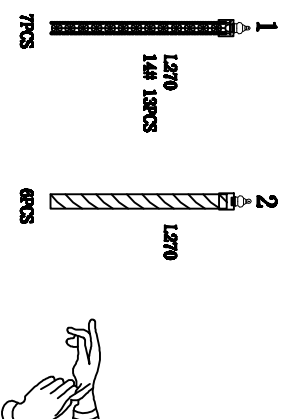



Hardware Used

DD Mounting screw

AA Cap nut

2. Please hang the crystal(1,2) to the fixture (C) .



3. Install bulbs (NOT INCLUDED).
USE
120V E12  2*60W Max.

