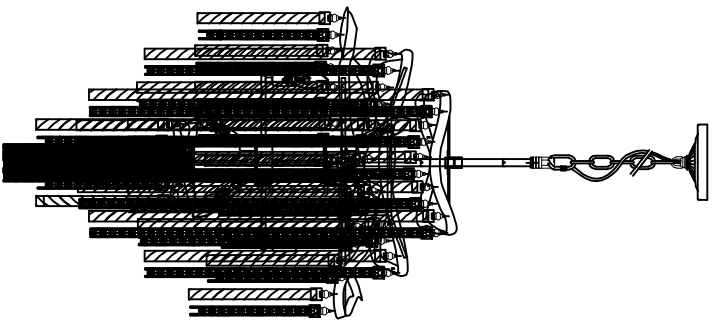



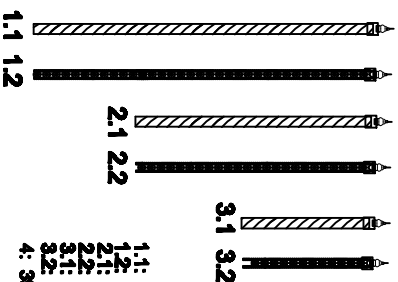
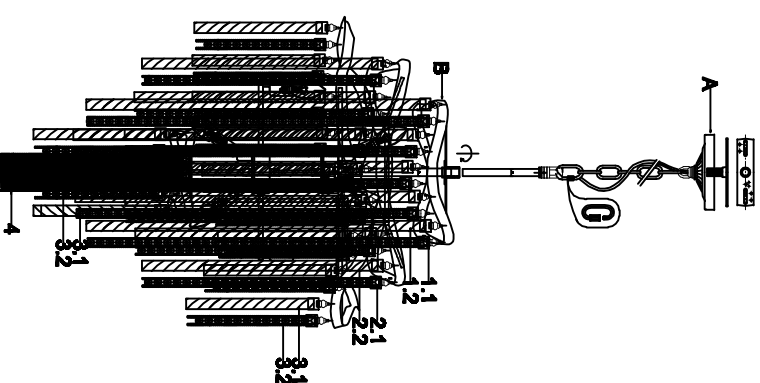
Trade Mark:  
CRYSTAL WORLD INC

Product Name: Pendant lamp  
Model :5648P26  
120Vac, 60Hz,AC ONLY  
Lamp Size:D26"\*H46"



## PENDANT LAMP ASSEMBLY INSTRUCTIONS

1. Please put the glass(C) on the (B).
2. Please fix (A) with (B).
3. Install bulbs ( NOT INCLUDED).USE 120V E12  14\*60W Max.



- |      |                           |
|------|---------------------------|
| 1.1: | 720MM - 12PCS             |
| 1.2: | 720MM - 12PCS (14#*38PCS) |
| 2.1: | 800MM - 21PCS             |
| 2.2: | 800MM - 21PCS (14#*24PCS) |
| 3.1: | 270MM - 39PCS             |
| 3.2: | 270MM - 39PCS (14#*12PCS) |
| 4:   | 380MM - 64PCS             |

