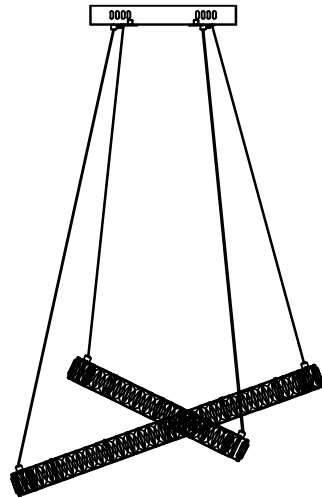


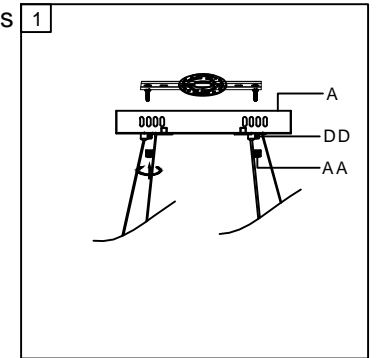
Trade Mark:  
CRYSTAL WORLD INC

Product Name: Pendant lamp  
Model :5635P27ST-O  
120Vac, 60Hz,AC ONLY  
Lamp Size:L27"XW15"XH118"



## PENDANT LAMP ASSEMBLY INSTRUCTIONS



1. Place fixture (A) onto mounting screws (DD).secure with cap nuts (AA).



### Hardware Used

AA Cap nut  X 2  
DD Mounting screw  X 2

2. lighting bulbs ( not included).

120V LED  21+12\*1W  
120V LED  2\*3W  
DIMMABLE (4000K)

