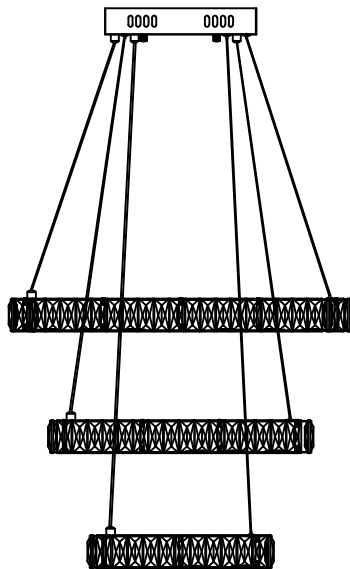


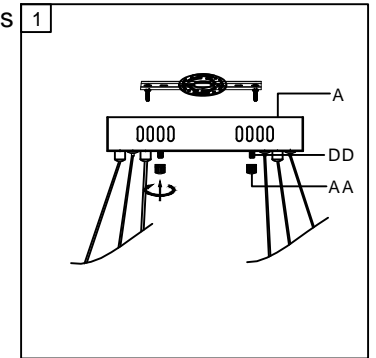
Trade Mark:
CRYSTAL WORLD INC

Product Name: Pendant lamp
Model :5635P21ST-3S
120Vac, 60Hz,AC ONLY
Lamp Size:L20"XW20"XH118"



PENDANT LAMP ASSEMBLY INSTRUCTIONS



1. Place fixture (A) onto mounting screws (DD). secure with cap nuts (AA).



Hardware Used

AA Cap nut  X 2
DD Mounting screw  X 2

2. lighting bulbs (not included).

120V LED  24+18+12*1W
120V LED  2*3W
DIMMABLE (4000K)

