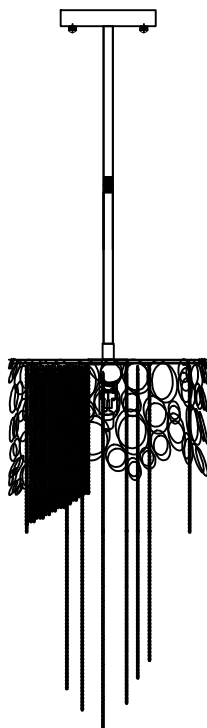


Trade Mark:
CRYSTAL WORLD INC

Product Name: Pendant lamp
Model :5631P10C-R
120Vac, 60Hz,AC ONLY
Lamp Size:Ø10"*H36"

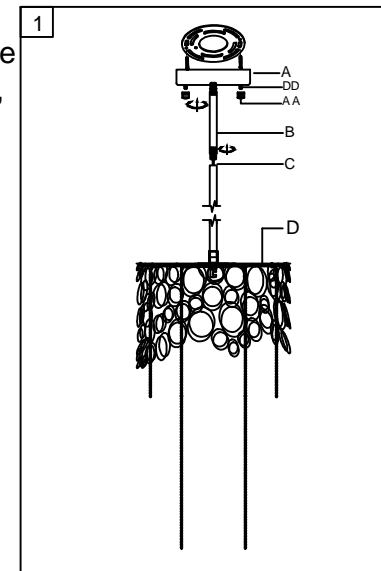


PENDANT LAMP ASSEMBLY INSTRUCTIONS

1. Place fixture(A) onto mounting screws (DD).secure with cap nuts (AA) . Please fix (A) with (B).(B) with (C),(C) with (D),

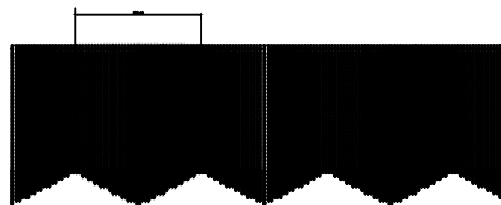
Hardware Used

AA Cap nut  X 2
DD Mounting screw  X 2

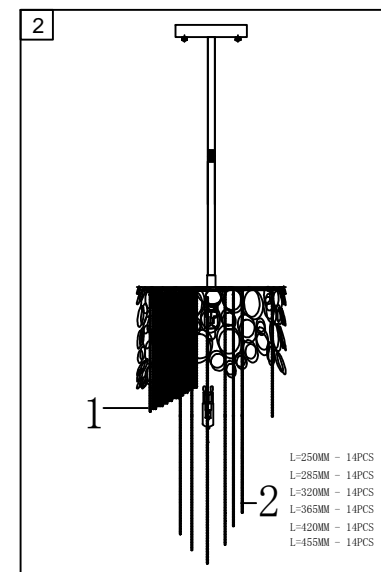


2.Install light bulbs (not included).
Use bulb
120V G9 1*40W Max.

1 示意效果排法



A 160MM-4pcs*4SET
B 165MM-4pcs*4SET
C 170MM-4pcs*4SET
D 175MM-4pcs*4SET
E 180MM-6pcs*4SET
F 185MM-2pcs*4SET
G 190MM-6pcs*4SET
H 195MM-4pcs*4SET
I 200MM-6pcs*4SET
J 205MM-2pcs*4SET



L=250MM - 14PCS
L=285MM - 14PCS
L=320MM - 14PCS
L=365MM - 14PCS
L=420MM - 14PCS
L=455MM - 14PCS