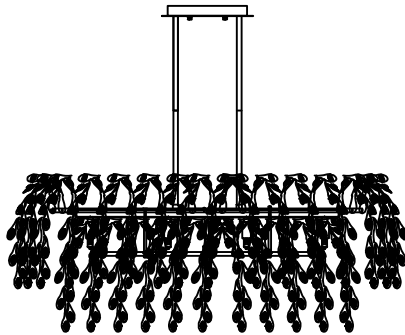


Trade Mark:  
CRYSTAL WORLD INC

Product Name: Pendant lamp  
Model :5630P37C-0  
120Vac, 60Hz,AC ONLY  
Lamp Size: L37"\*W16"\*H43"

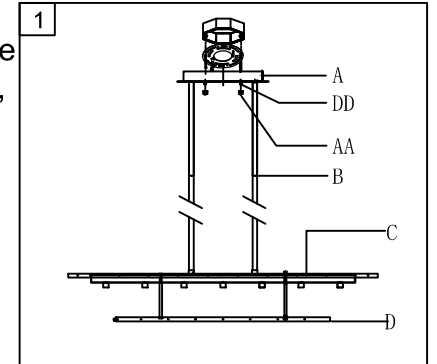


## PENDANT LAMP ASSEMBLY INSTRUCTIONS

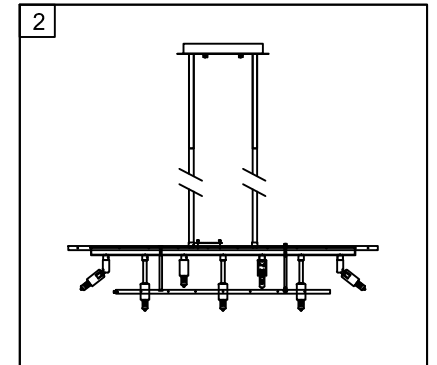
1.Place fixture(A)onto mounting screws (DD).secure with cap nuts (AA) . Please fix (A) with (B).(B) with (C),(C) with (D),

### Hardware Used

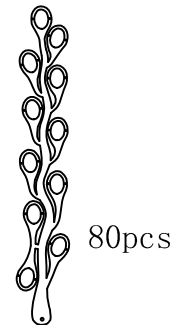
AA Cap nut  X 2  
DD Mounting screw  X 2



2.Install light bulbs ( not included).  
Use bulb  
**120V G9 7\*60W Max.**



3.Install The Crystal



14  
880pcs

80pcs

