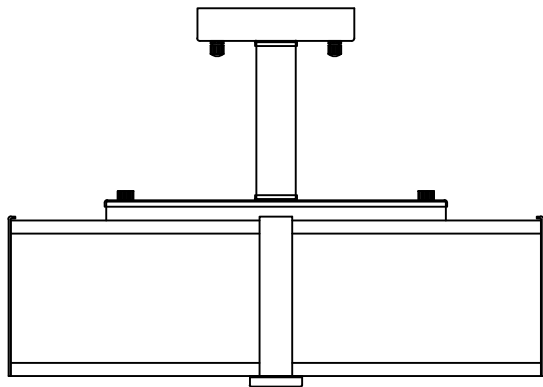


Trade Mark:
CRYSTAL WORLD INC

Product Name: Pendant lamp
Model :5571P17C-R
120Vac, 60Hz,AC ONLY
Lamp size:D17"*H12"





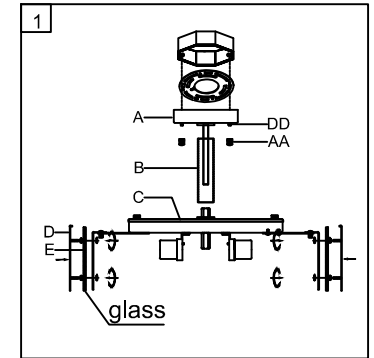
Intertek
4006677


CEILING LAMP ASSEMBLY INSTRUCTIONS

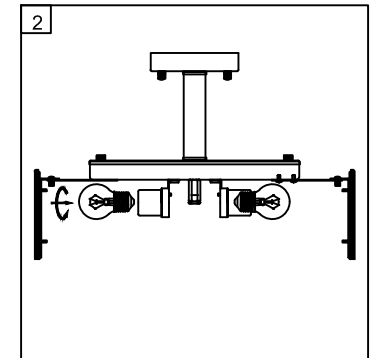
1. Place fixture (A) onto mounting screws (DD), secure with cap nuts (AA).
Place fix (A) and (B) with (C), (D) and (E) with (C).

Hardware Used

AA Cap nut		X 2
DD Mounting screw		X 2



2. Install light bulbs (not included).
Use bulb
120V E26  **4*60W Max.**



3. Place fix (F) and (G) with (C).

