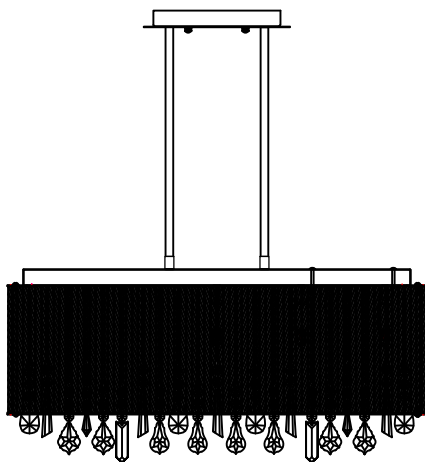


Trade Mark:
CRYSTAL WORLD INC

Product Name: Pendant lamp
Model :5562P26C-0
120Vac, 60Hz,AC ONLY
Lamp Size: L26"*W10"*H13"

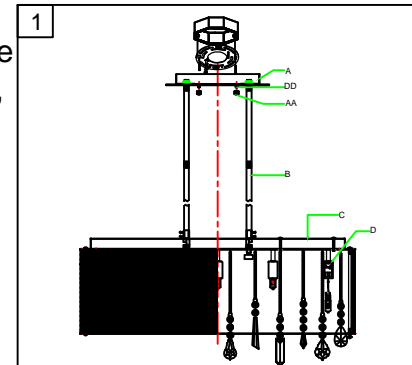


PENDANT LAMP ASSEMBLY INSTRUCTIONS

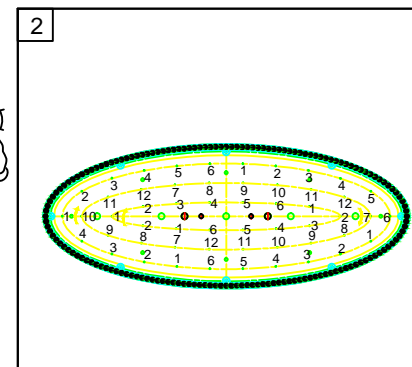
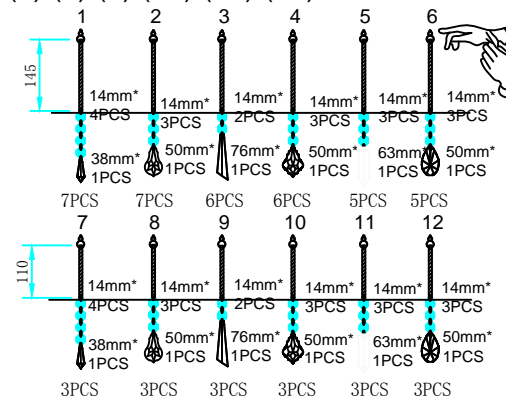
1. Place fixture (A) onto mounting screws (DD). secure with cap nuts (AA). Please fix (A) with (B). (B) with (C), (D) with (C),


Hardware Used

AA Cap nut		X 2
DD Mounting screw		X 2



2. Please put the crystal (1) (2) (3) (4) (5) (6) (7) (8) (9) (10) (11) (12) to the fixture .



3. Install light bulbs (not included).
Use bulb
120V G9  5*40W Max.

