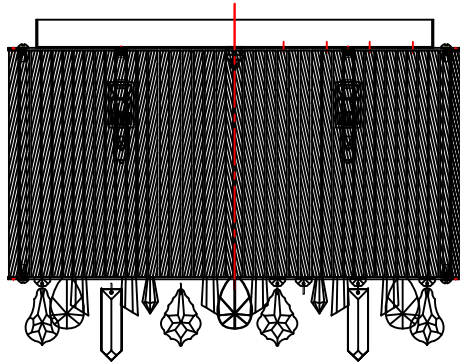


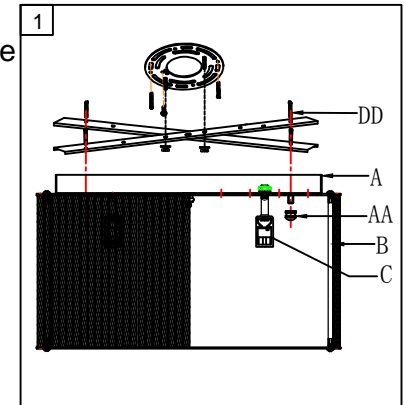
Trade Mark:
CRYSTAL WORLD INC

Product Name: Pendant lamp
Model :5562C16C
120Vac, 60Hz, AC ONLY
Lamp Size: Ø16" *H9"



CEILING LAMP ASSEMBLY INSTRUCTIONS

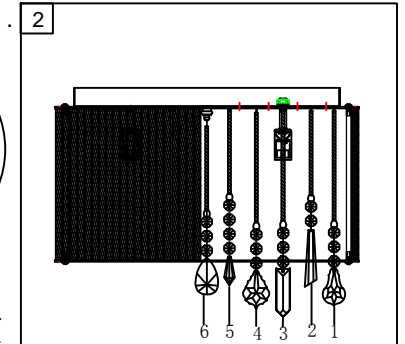
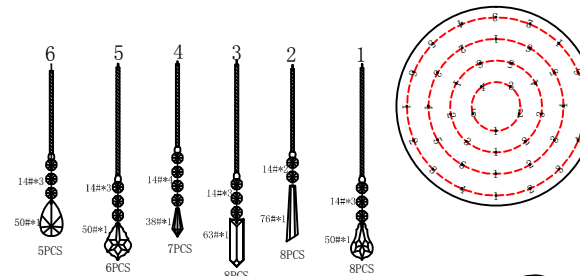
1. Place fixture(A) onto mounting screws (DD). secure with cap nuts (AA). Please fix (A) with (B). (C) with (A)




Hardware Used

AA Cap nut  X 4
DD Mounting screw  X 4

2. Please wear gloves when you hanging the crystal .



3. Install light bulbs (not included).
Use bulb
120V G9  **6*40W Max.**

