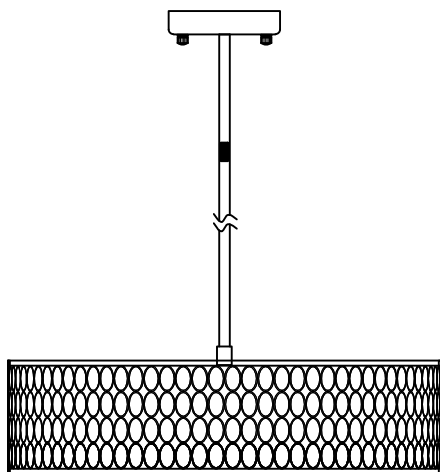


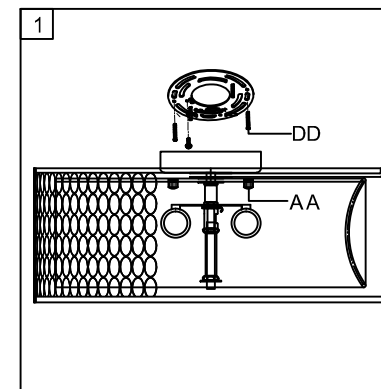
Trade Mark:
CRYSTAL WORLD INC

Product Name: Pendant lamp
Model :5555P22SN-R
120Vac, 60Hz,AC ONLY
Lamp Size:D22"*H8"~H65"



PENDANT LAMP ASSEMBLY INSTRUCTIONS

1. Place fixture(A) onto mounting screws (DD), secure with cap nuts (AA).



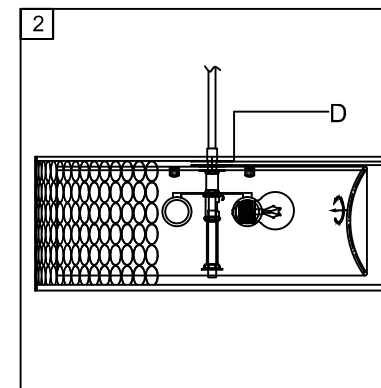
Hardware Used

AA Cap nut  X 2

DD Mounting screw  X 2

2. lighting bulbs (not included).

USE 120V E26  3*60W Max.



3. Please fix part(B) with part(A).

