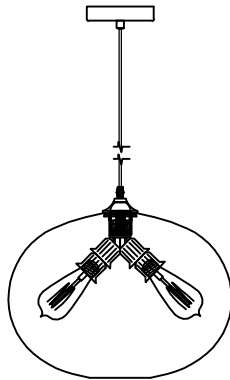


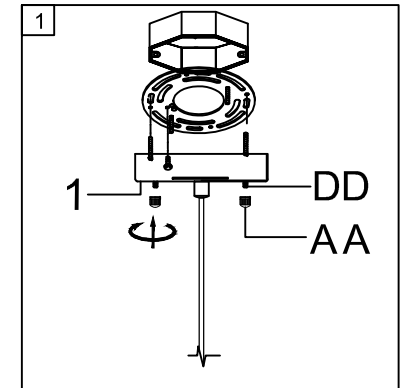
Trade Mark:
CRYSTAL WORLD INC

Product Name: Pendant lamp
Model :5553P16-Clear
120Vac, 60Hz,AC ONLY
Lamp Size:D16"*H12"~H71"




Pendant LAMP ASSEMBLY INSTRUCTIONS

1. Place fixture (1) onto mounting screws (DD). Secure with Cap nut (AA).

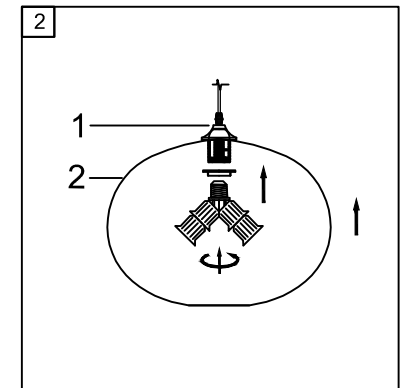


Hardware Used

AA Cap nut  X 2

DD Mounting screw  X 2

2. Please fix part (2) with part (1).



3. Install lighting bulbs (not included).

USE 120V E26  4*40W Max.

