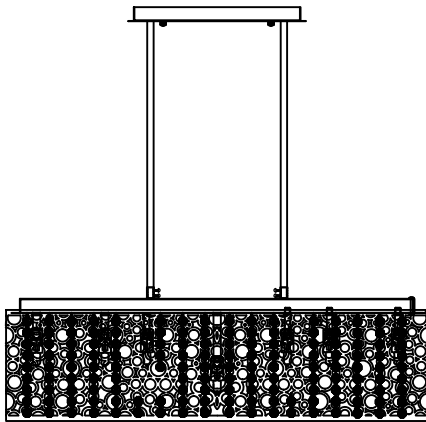


Trade Mark:
CRYSTAL WORLD INC

Product Name: Pendant lamp
Model : 5536P30ST-0
120Vac, 60Hz, AC ONLY
Lamp Size: L30"*W10"*H9"

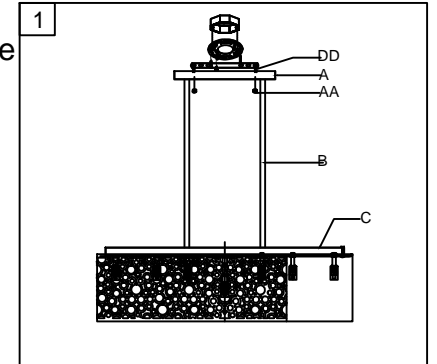


PENDANT LAMP ASSEMBLY INSTRUCTIONS

1. Place fixture(A) onto mounting screws (DD). secure with cap nuts (AA). Please fix (A) with (B). (B) with (C)

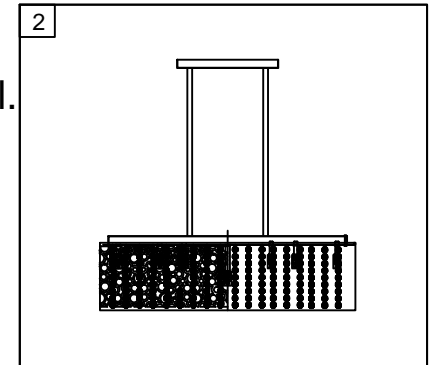
Hardware Used


AA Cap nut  X 2
DD Mounting screw  X 2



2. Please wear gloves when you hanging the crystal.

14#*9
76PCS



3. Install light bulbs (not included).
Use bulb
120V G9  11*40W Max.

