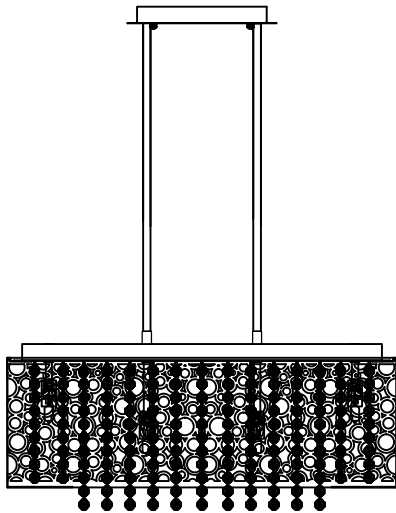


Trade Mark:  
CRYSTAL WORLD INC

Product Name: Ceiling lamp  
Model :5536P24ST  
120Vac, 60Hz,AC ONLY  
Lamp Size:Ø30"\*H10"

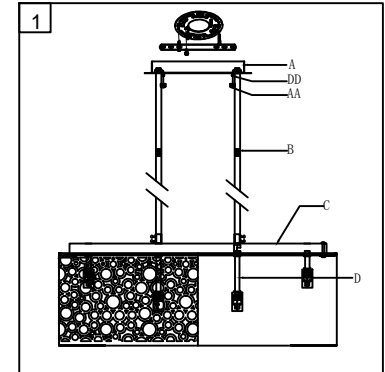


## CEILING LAMP ASSEMBLY INSTRUCTIONS

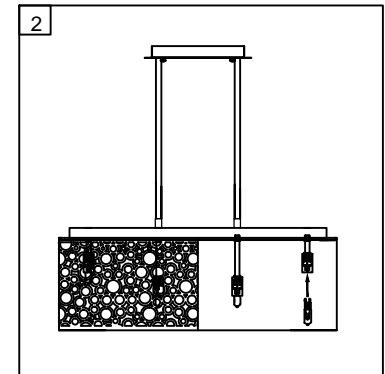
- Place fixture(A) onto mounting screws (DD).secure with cap nuts (AA). Please fix (A) with (B).(B) with (C), (D) to (C)

### Hardware Used

AA Cap nut		X 2
DD Mounting screw		X 2



- Install light bulbs ( not included).  
Use bulb  
**120V G9 9\*40W Max.**



- Please put the crystal(1,2) to the fixture.

