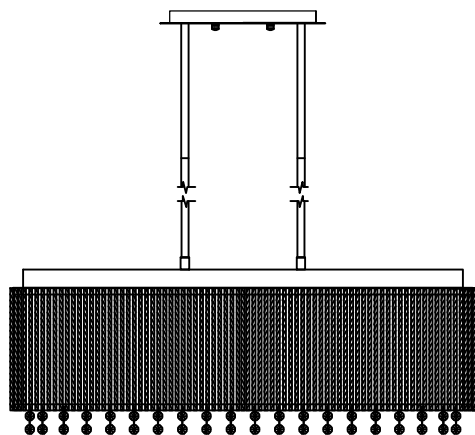


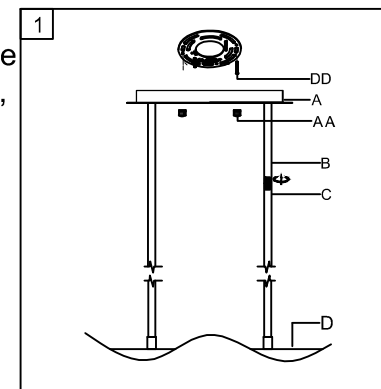
Trade Mark:
CRYSTAL WORLD INC

Product Name: Pendant lamp
Model :5535P30C-O
120Vac, 60Hz,AC ONLY
Lamp Size:L30"*W10"*H11"~H68"



PENDANT LAMP ASSEMBLY INSTRUCTIONS

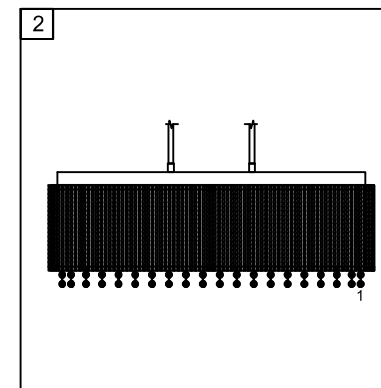
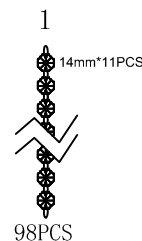
1.Place fixture(A)onto mounting screws (DD),secure with cap nuts (AA) . Please fix (A) with (B).(B) with (C),(C) with (D),




Hardware Used

AA Cap nut  X 2
DD Mounting screw  X 2

2.Please hang the crystal(1) to the fixture .



3.Install light bulbs (not included).
Use bulb
120V G9  **5*40W Max.**

