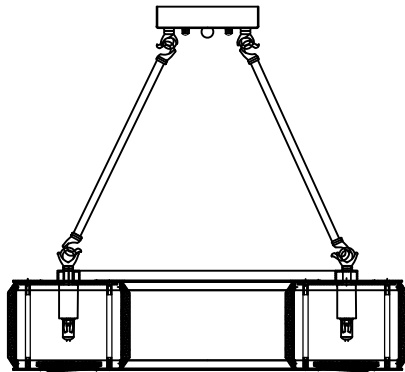


Trade Mark:  
CRYSTAL WORLD INC

Product Name: Ceiling lamp  
MODEL:5530C19C-R  
120Vac, 60Hz,AC ONLY  
Lamp Size:Ø19"xH17"

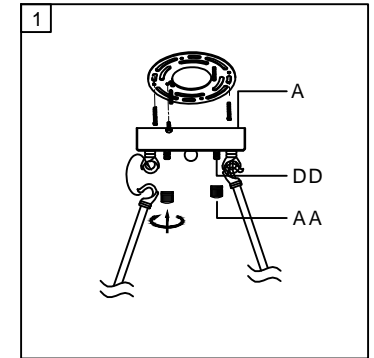



## CEILING LAMP ASSEMBLY INSTRUCTIONS

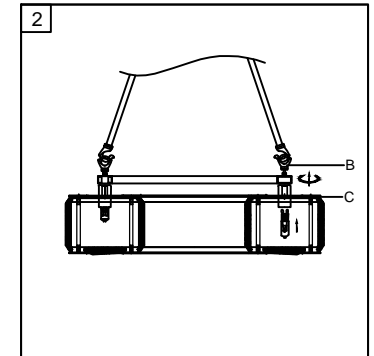
1. Place fixture(A) onto mounting screws (DD). secure with cap nuts (AA).

### Hardware Used

AA Cap nut  X 2  
DD Mounting screw  X 2



2. Take off (B) from (C).  
Install light bulbs (not included).  
Use 120V G9  8\*40W Max.



3. Please fix (B) with (C).

