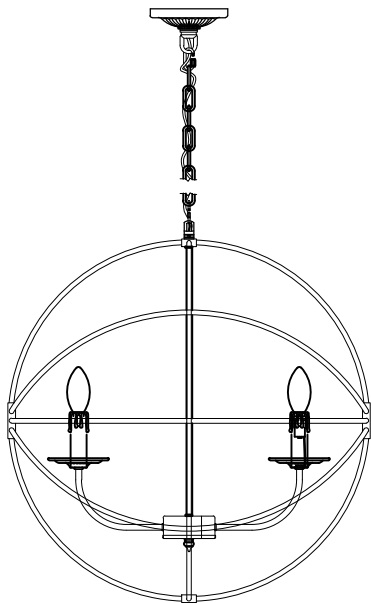


Trade Mark:
CRYSTAL WORLD INC

Product Name: Pendant lamp
Model :5464P22-8
120Vac, 60Hz,AC ONLY
Lamp Size:Ø22*H22"

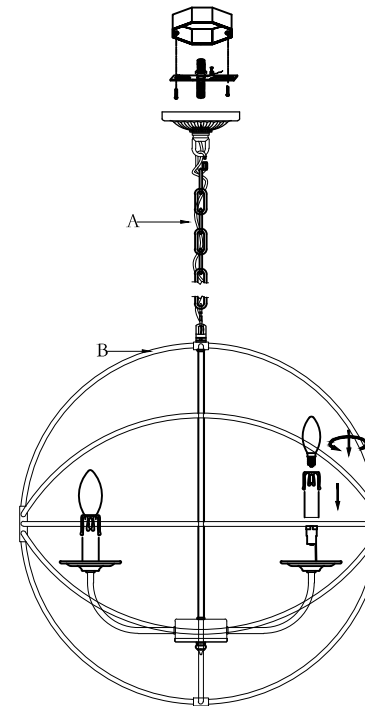


Page 1/4



PENDANT LAMP ASSEMBLY INSTRUCTIONS

1. Install bulbs(NOT INCLUDED).USE **120V E12 8*40W Max.**



Page 2/4