

Trade Mark:  
CRYSTAL WORLD INC

Product Name: Pendant lamp  
Model :5444P5C-R  
120Vac, 60Hz,AC ONLY  
Lamp size:Ø5"xH8"-H48"

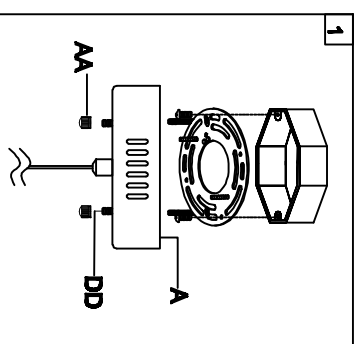


## PENDANT LAMP ASSEMBLY INSTRUCTIONS


1. Place fixture(A) onto mounting screws (DD), secure with cap nuts (AA).

### Hardware Used

AA Cap nut		X 2
DD Mounting screw		X 2



2. Install light bulbs ( not included).

Use bulb  
12V G4  1\*20W Max.

