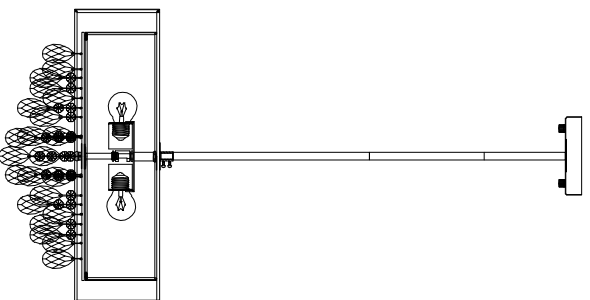


Trade Mark:
CRYSTAL WORLD INC

Product Name: Pendant lamp
Model :5443P14C
120Vac, 60Hz,AC ONLY
Lamp Size:Ø14"X48"H

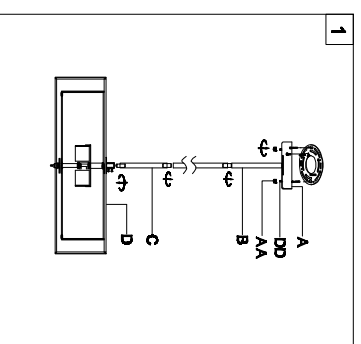


PENDANT LAMP ASSEMBLY INSTRUCTIONS

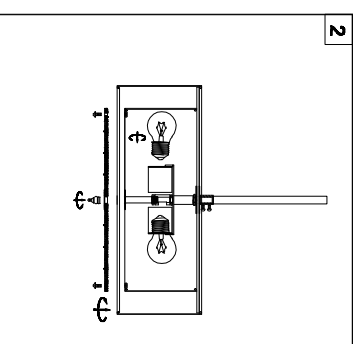
1. Place fixture(A) onto mounting screws (DD), secure with cap nuts (AA). Please fix (A) with (B),(B) with (C), (C) with (D).

Hardware Used

AA Cap nut	⊖	X 2
DD Mounting screw		X 2

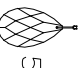
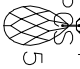
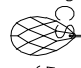



2. light bulbs (not included).
120V E26 3*60W Max.



3. Please hang the crystal(1) (2) (3) (4) to the fixture.



1	2	3
 50mm*1PCS	 14mm*1PCS	 14mm*2PCS
12PCS	8PCS	5PCS
		 50mm*1PCS

