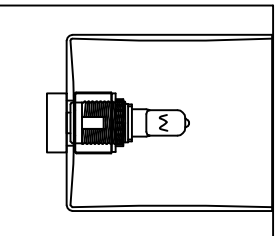


Trade Mark:
CRYSTAL WORLD INC

Product Name: Wall lamp
Model :5442W6SN
120Vac, 60Hz,AC ONLY
Lamp Size:W6"X5"HX5"E

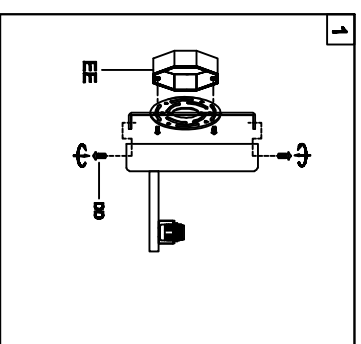


WALL LAMP ASSEMBLY INSTRUCTIONS

**1. Place fixture(A) onto cross bar (EE),
secure with mounting screw (DD).**

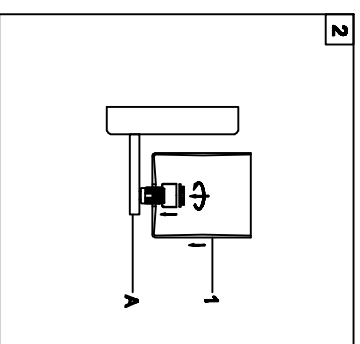
Hardware Used

CC Mounting screw  X 4



2. Please fix (1) with the fixture (A).

1
90*90*H105mm
1PCS



**3. Install light bulbs (not included).
Use bulb
120V G9 ⌀ 1*40W Max.**

