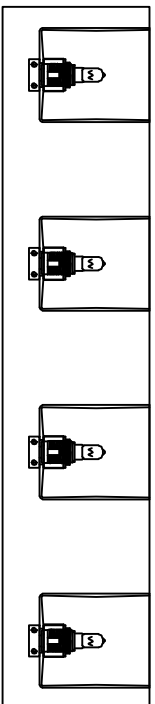


Trade Mark:
CRYSTAL WORLD INC

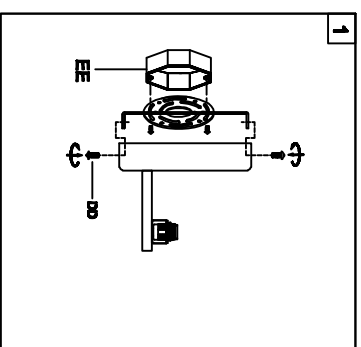
Product Name: Wall lamp
Model :5442W26SN
120Vac, 60Hz,AC ONLY
Lamp Size:W26"X5"HX5"E



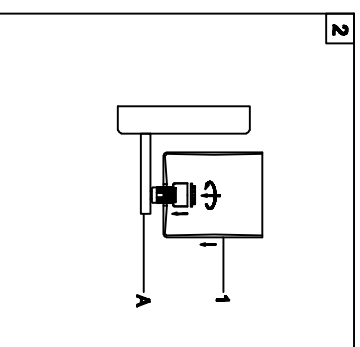
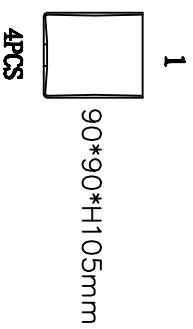
WALL LAMP ASSEMBLY INSTRUCTIONS

1.Place fixture(A)onto cross bar (EE).
secure with mounting screw (DD).

Hardware Used
CC Mounting screw X 4



2.Please fix (1) with the fixture (A).



3.Install light bulbs (not included).
Use bulb
120V G9 4***40W Max.**

