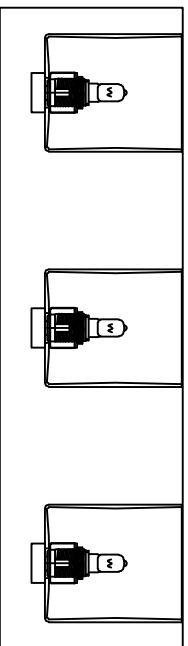


Trade Mark:  
CRYSTAL WORLD INC

Product Name: Wall lamp  
Model :5442W20SN  
120Vac, 60Hz,AC ONLY  
Lamp Size:W20"X5"HX5"E

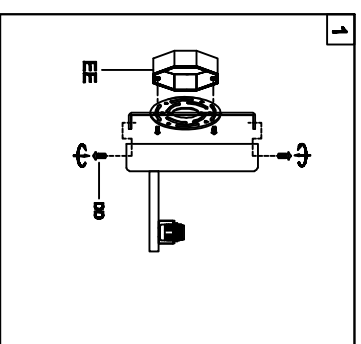


## WALL LAMP ASSEMBLY INSTRUCTIONS

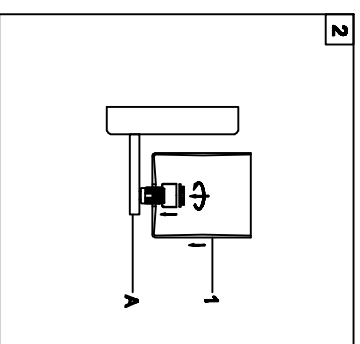
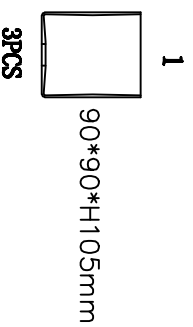
1. Place fixture(A) onto cross bar (EE).  
secure with mounting screw (DD).


### Hardware Used

CC Mounting screw  X 4



2. Please fix (1) with the fixture (A).



3. Install light bulbs (not included).  
Use bulb  
**120V G9**  **3\*40W Max.**

