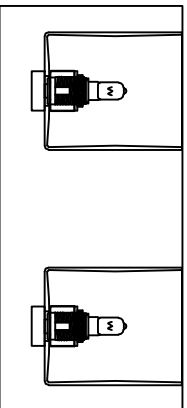


Trade Mark:
CRYSTAL WORLD INC

Product Name: Wall lamp
Model :5442W12SN
120V/ac, 60HZ,AC ONLY
Lamp Size:W12"X5"HX5"E

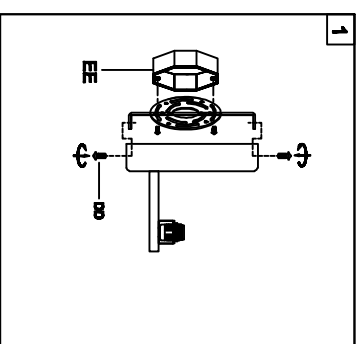


WALL LAMP ASSEMBLY INSTRUCTIONS

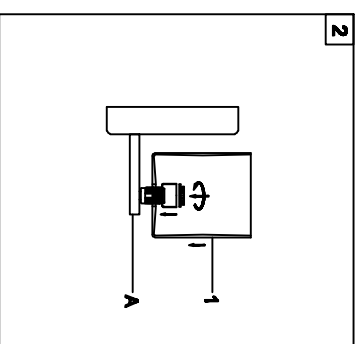
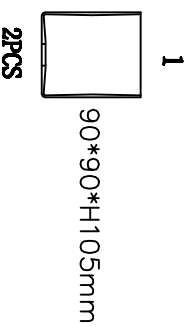
1. Place fixture(A) onto cross bar (EE).
secure with mounting screw (DD).

Hardware Used

CC Mounting screw  X 4



2. Please fix (1) with the fixture (A).



3. Install light bulbs (not included).
Use bulb
120V G9 ⚡ **2*40W Max.**

