

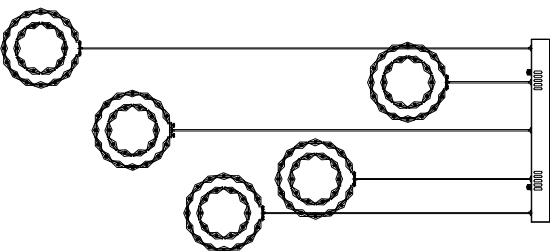
Trade Mark:
CRYSTAL WORLD INC

Product Name: Pendant lamp

Model :5417P20ST-R

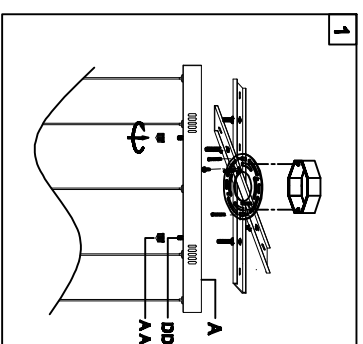
120Vac, 60Hz,AC ONLY

Lamp Size:Ø20"*H10"-H59"



PENDANT LAMP ASSEMBLY INSTRUCTIONS

1. Place fixture(A) onto mounting screws (DD), secure with cap nuts (AA).



Hardware Used

AA Cap nut	⊖	X 4
DD Mounting screw	⌘	X 4

2. lighting bulbs (not included).

120V LED  **30*1W DIMMABLE (4000K)**

