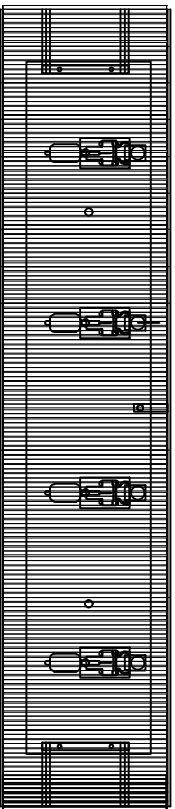


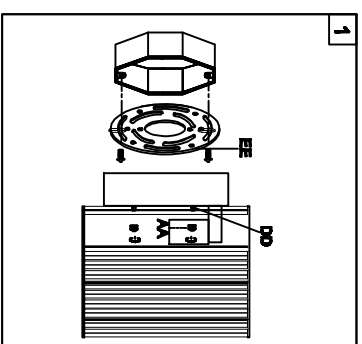
Trade Mark:
CRYSTAL WORLD INC

Product Name: Wall lamp
Model :5320W24C
120Vac, 60HZ,AC ONLY
Lamp Size:124" *15" *E5"



WALL LAMP ASSEMBLY INSTRUCTIONS

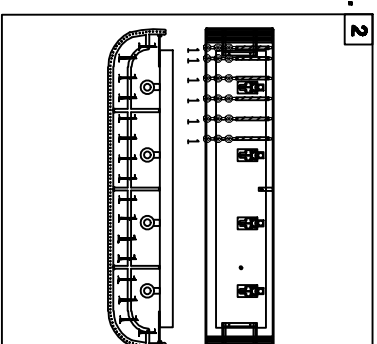
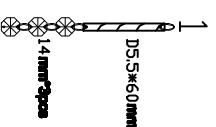
1. Place fixture(A) onto mounting screws (DD).secure with cap nuts (AA).



Hardware Used

AA Cap nut	⊖	X 2
DD Mounting screw	⚙	X 2

2. Please hang the crystal(1) to the fixture .



16PCS

3. Install light bulbs (not included).
Use bulb
120V G9 4*40W Max.

