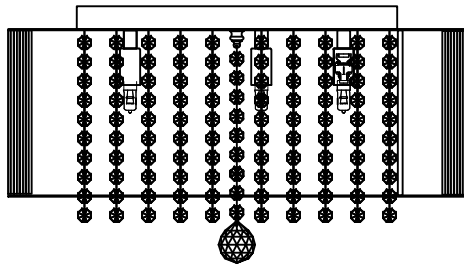


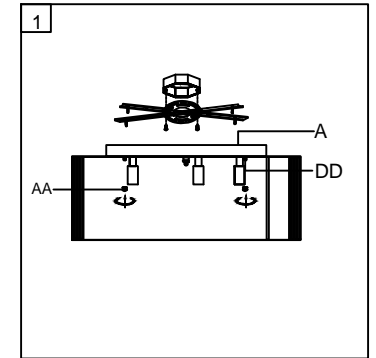
Trade Mark:  
CRYSTAL WORLD INC

Product Name: Ceiling lamp  
Model :5319C20C  
120Vac, 60Hz,AC ONLY  
Lamp size:Ø20"XH10"




## CEILING LAMP ASSEMBLY INSTRUCTIONS

1. Place fixture(A) onto mounting screws (DD).secure with cap nuts (AA).



### Hardware Used


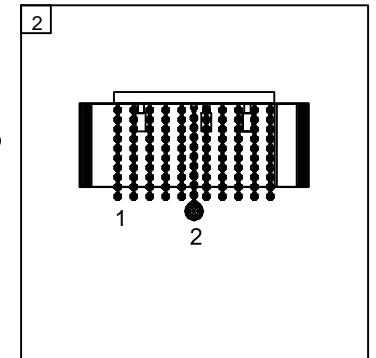
AA Cap nut  X 4


DD Mounting screw  X 4

2. Please put the crystal (1) (2) to the fixture .

1  
14mm\*10PCS  
80PCS

2  
14mm\*9PCS  
40mm\*1PCS  
1PCS

3. Install light bulbs ( not included).  
Use bulb  
**120V G9  7\*40W Max.**

