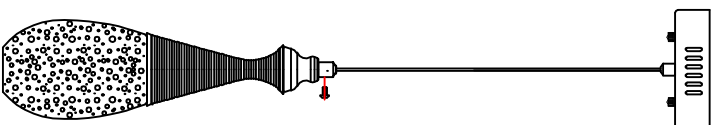


Trade Mark:
CRYSTAL WORLD INC

Product Name: Pendant lamp
Model : 5110P5C-R
120Vac, 60Hz,AC ONLY
Lamp size:ø5"x8"-48"H

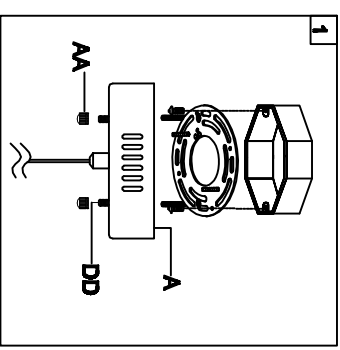


PENDANT LAMP ASSEMBLY INSTRUCTIONS

1. Place fixture(A)onto mounting screws (DD),secure with cap nuts (AA).

Hardware Used

AA Cap nut a X 2
DD Mounting screw  X 2



2. Install light bulbs (not included).

Use bulb
120V LED  **1*5W Max.**

