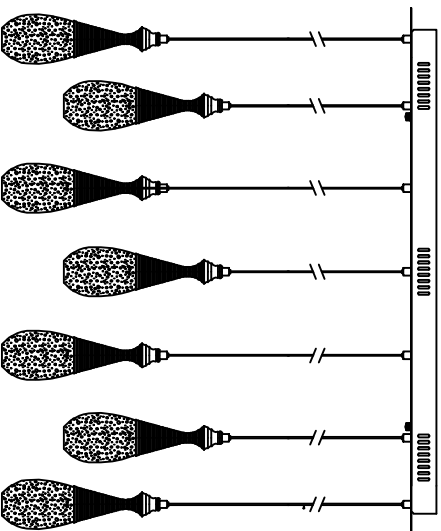


Trade Mark:
CRYSTAL WORLD INC

Product Name: Pendant lamp
Model : 5110P34C-O
120Vac, 60Hz,AC ONLY
Lampsize:L34" *W12" x8"-78"H

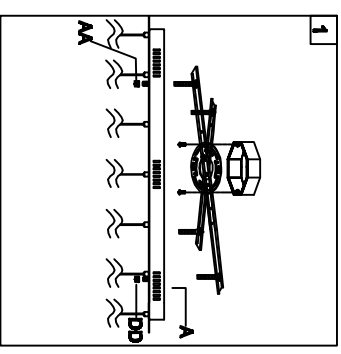


PENDANT LAMP ASSEMBLY INSTRUCTIONS

1. Place fixture(A) onto mounting screws (DD), secure with cap nuts (AA).

Hardware Used

AA Cap nut	⊖	X 4
DD Mounting screw		X 4



2. Install light bulbs (not included).
Use bulb
120V LED  **12*5W Max.**

