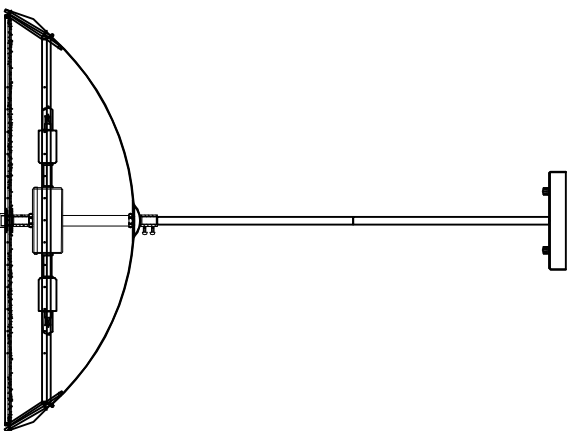


Trade Mark:
CRYSTAL WORLD INC

Product Name: Pendant lamp
Model :5109P20B
120Vac, 60Hz,AC ONLY
Lamp Size:Ø20"*H48"



PENDANT LAMP ASSEMBLY INSTRUCTIONS

1.Place fixture(A)onto mounting screws (DD),secure with cap nuts (AA). Please fix (A) with (B),(B) with (C), (C) with (D).

Hardware Used

AA Cap nut	a	X 2
DD Mounting screw		X 2

2.Install light bulbs (not included).
Use bulb
120V G9 6*40W Max.

3.Please fix (E) with (D).

