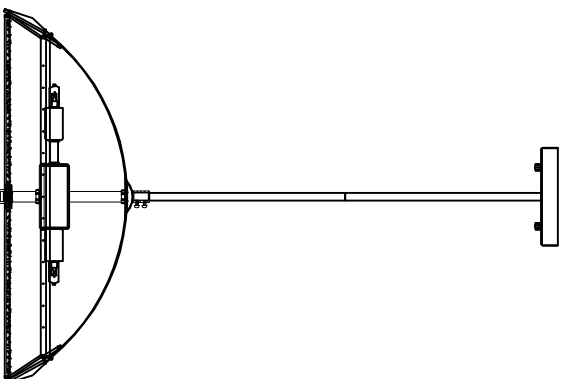


Trade Mark:
CRYSTAL WORLD INC

Product Name: Pendant lamp
Model :5109P18W
120Vac, 60Hz,AC ONLY
Lamp Size:Ø18"*H48"



PENDANT LAMP ASSEMBLY INSTRUCTIONS

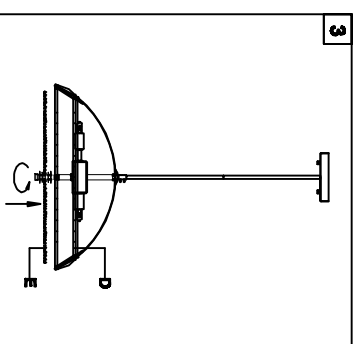
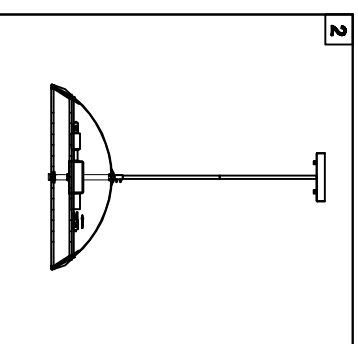
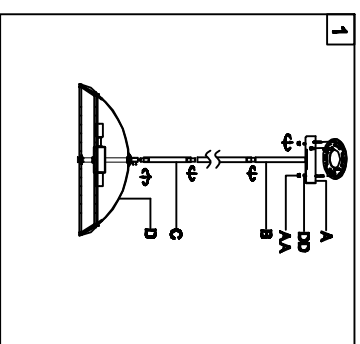
1.Place fixture(A)onto mounting screws (DD),secure with cap nuts (AA). Please fix (A) with (B),(B) with (C), (C) with (D).

Hardware Used

| | | |
|-------------------|--|-----|
| AA Cap nut | a | X 2 |
| DD Mounting screw |  | X 2 |

2.Install light bulbs (not included).
Use bulb
120V G9 6*40W Max.

3.Please fix (E) with (D).




Intertek
4006677