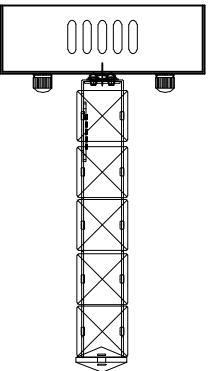


Trade Mark:  
**CRYSTAL WORLD INC**

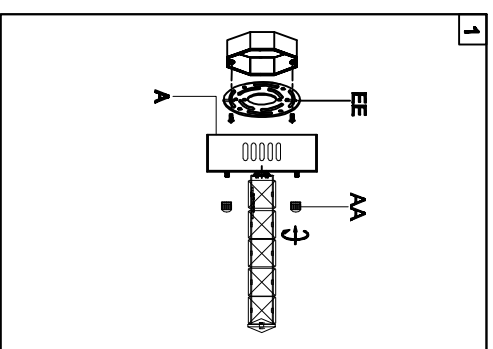
**Product Name: Wall lamp**  
**Model :5080W7ST**  
**120Vac, 60Hz,AC ONLY**  
**Lamp Size:W7"xH5"xE9"**



## WALL LAMP ASSEMBLY INSTRUCTIONS

1. Place fixture(A) onto Butterfly (EE).  
Secure with cap nuts (AA).

**Hardware Used**  
AA Cap nut      A      X 2



2. lighting bulbs ( not included).

**120V LED 6\*1W**  
**NOT DIMMABLE (4000K)**

