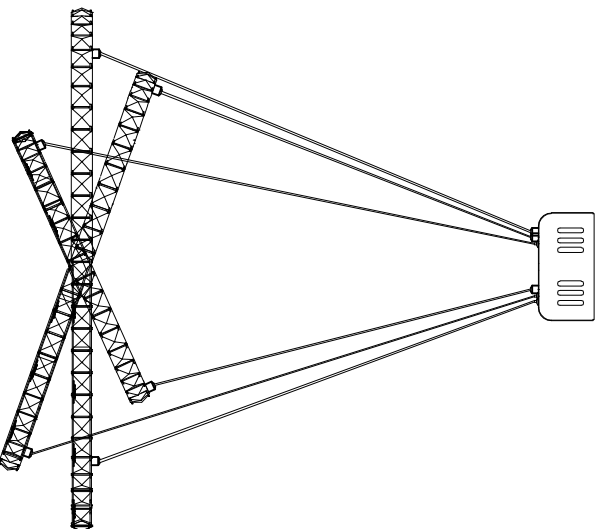


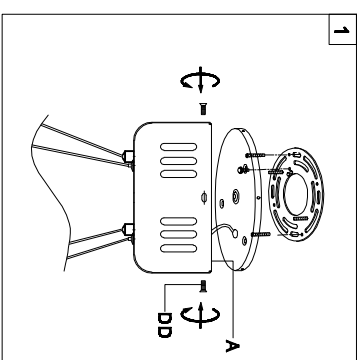
Trade Mark:  
**CRYSTAL WORLD INC**

**Product Name: Pendant lamp**  
**Model :5080P32ST-3R**  
**120Vac, 60Hz,AC ONLY**  
**Lamp Size:Ø32"XH118"**




## PENDANT LAMP ASSEMBLY INSTRUCTIONS

1. Place fixture (A) onto Crossbar (EE).  
secure with Mounting screw (DD).



### Hardware Used

DD Mounting screw  X 2

2. Lighting bulbs ( not included).  
**120V LED  77W**  
**NOT DIMMABLE (4000K)**

