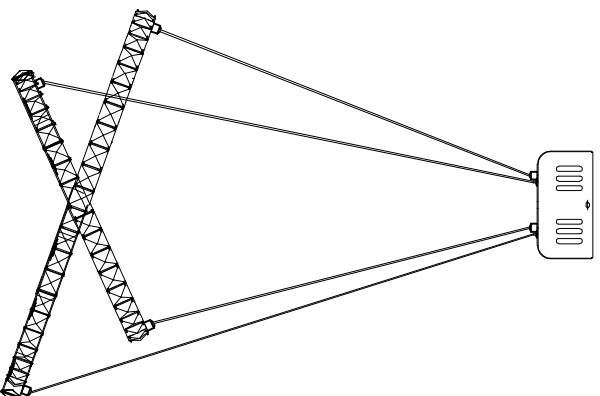


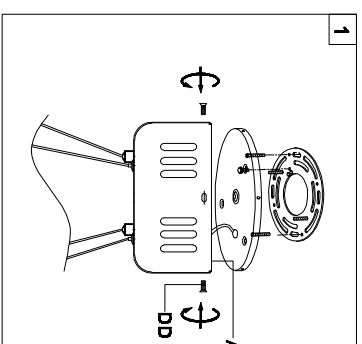
Trade Mark:
CRYSTAL WORLD INC

Product Name: Pendant lamp
Model :5080P24ST-2R
120Vac, 60Hz,AC ONLY
Lamp Size:Ø24"XH118"



PENDANT LAMP ASSEMBLY INSTRUCTIONS

1. Place fixture (A) onto Crossbar (EE).
secure with Mounting screw (DD).



Hardware Used
DD Mounting screw  X 2

2. Lighting bulbs (not included).

120V LED  38W(24W-48W)
DIMMABLE (4000K)

