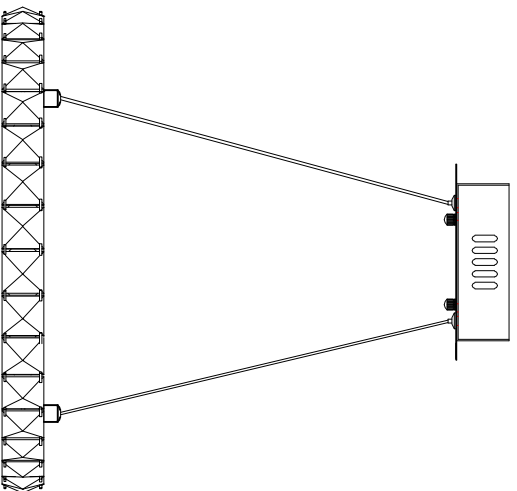


Trade Mark:
CRYSTAL WORLD INC

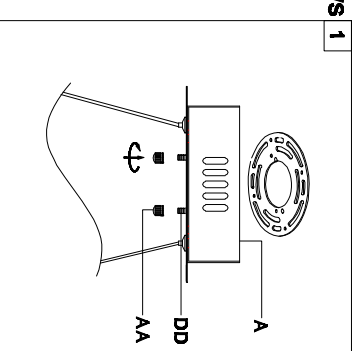
Product Name: Pendant lamp
Model :5080P16ST-R
120V/ac, 60Hz,AC ONLY
Lamp Size:Ø16"XH118"



PENDANT LAMP ASSEMBLY INSTRUCTIONS

1. Place fixture (A) onto mounting screws (DD), secure with cap nuts (AA).

Hardware Used	
AA Cap nut	X 2
DD Mounting screw	X 2



2. Lighting bulbs (not included).

120V LED 15*1W
NOT DIMMABLE (4000K)

