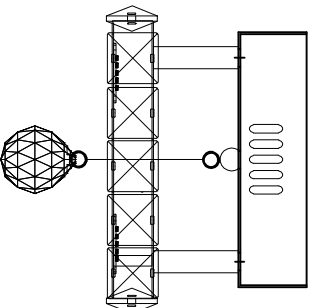


CEILING LAMP ASSEMBLY INSTRUCTIONS

Trade Mark:
CRYSTAL WORLD INC

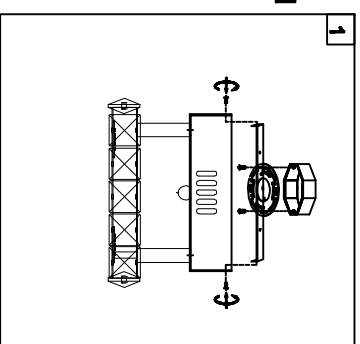
Product Name: Ceiling lamp
Model :5080C7ST
120V_{ac}, 60Hz,AC ONLY
Lamp size:Ø7"XH7"



1. Place fixture (A) onto Crossbar (EE), secure with Mounting screw (DD).
Note: The fixture (A) should be installed with the sockets facing down.

Hardware Used

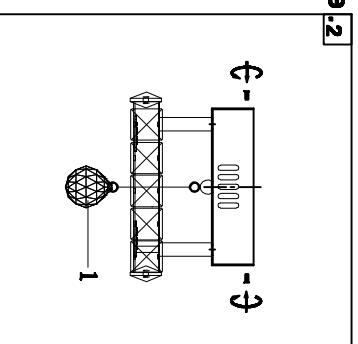
DD Mounting screw  X 2



2. Please put the crystal (1) to the fixture



1
40mm*1PCS
1PCS



3. lighting bulbs (not included).

**120V LED 6*1W
NOT DIMMABLE (4000K)**

