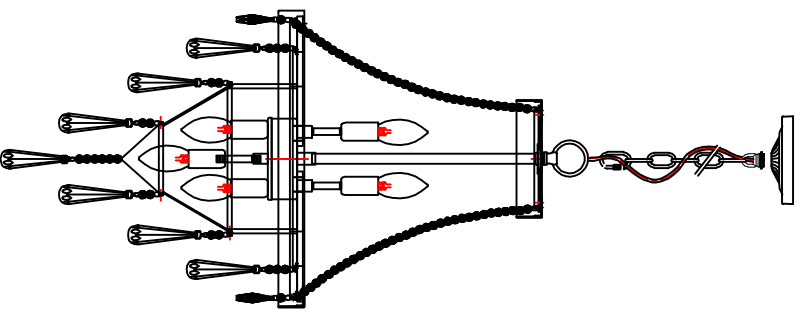


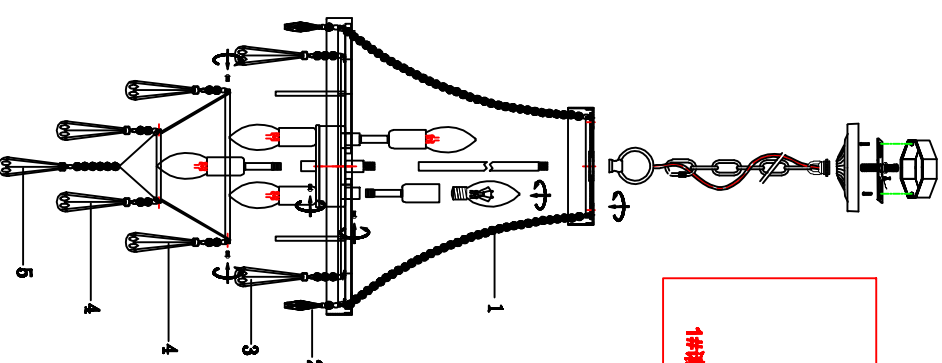
Trade Mark:  
CRYSTAL WORLD INC

Product Name: Pendant lamp  
Model :5078P16C  
120Vac, 60Hz, AC ONLY  
Lamp Size:φ16"X32"H



## PENDANT LAMP ASSEMBLY INSTRUCTIONS

Install bulbs( NOT INCLUDED).USE 120V E12  6"60W Max.



1 10mm\*1PCS  
39PCS  
10mm\*1PCS  
39PCS  
注意：以线长为准  
1#请先挂样，在生产大货

2 10mm\*1PCS  
50mm\*1PCS  
39PCS

3 10mm\*3PCS  
95mm\*1PCS  
39PCS

4 10mm\*2PCS  
95mm\*1PCS  
39PCS

5 10mm\*6PCS  
95mm\*1PCS  
1PCS