

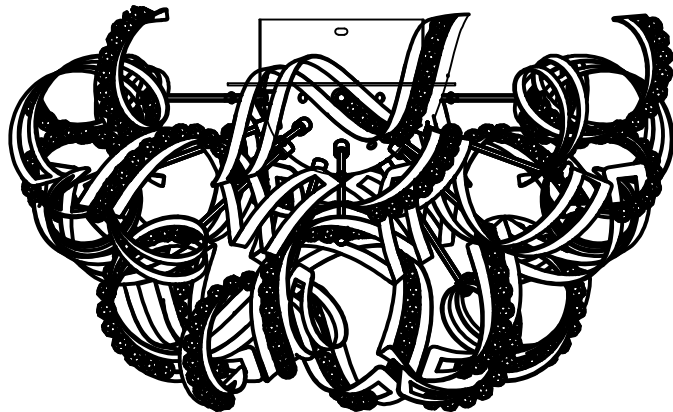
Trade Mark:
CRYSTAL WORLD INC

Product Name: Pendant lamp

Model :5067C22C


120Vac, 60Hz,AC ONLY

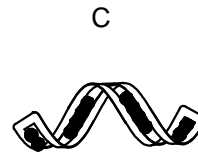
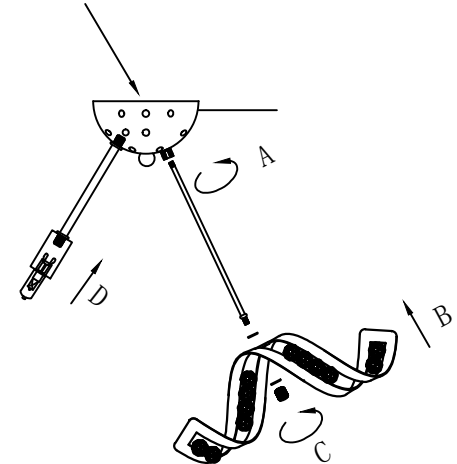
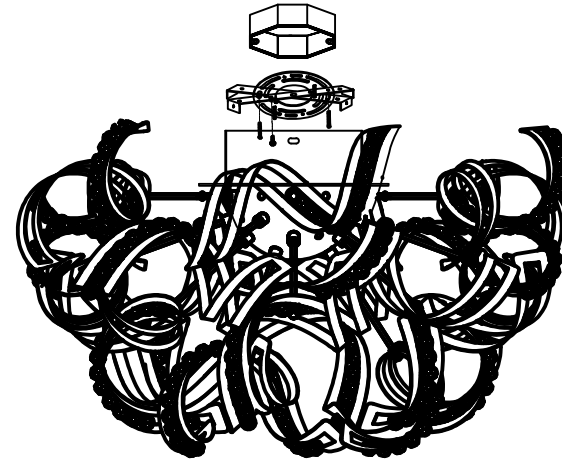
Lamp Size:D22"*H15"



Intertek
4006677

PENDANT LAMP ASSEMBLY INSTRUCTIONS

1. Install bulbs (NOT INCLUDED).USE 120V G9  13*25W Max.



27PCS

